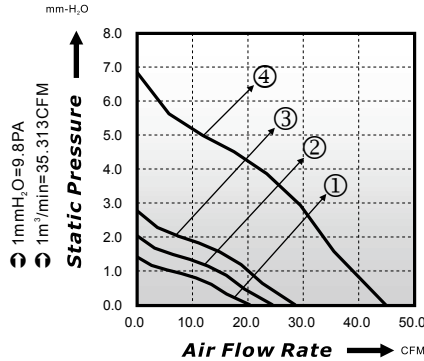


80x80x10mm

Model Y

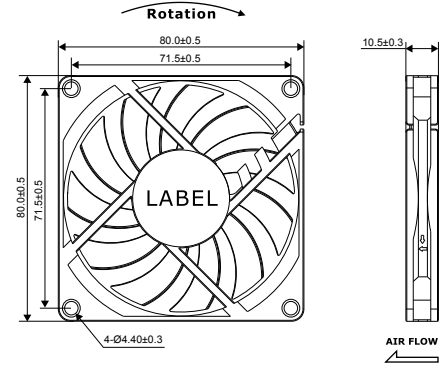


P-Q Curve (At Rated Voltage)



Dimensions Drawing

Unit: (mm)



Model No	Bearing (*)	Rated Voltage (VDC)	Rated Current (A)	Power Consumption (Watts)	Speed (rpm)	Air Flow (CFM)	Static Pressure (mmH ₂ O)	Noise (dBA)	Curve
ED08010-12L*	○ ● ⊖	12	0.11	1.32	2500	20.41	1.41	27.2	1
ED08010-12M*	○ ● ⊖	12	0.18	2.16	3000	24.49	2.04	31.4	2
ED08010-12H*	○ ● ⊖	12	0.26	3.12	3500	28.57	2.77	35.1	3
ED08010-12HH*	○ ● ⊖	12	0.35	4.20	5500	44.9	6.84	44.9	4
ED08010-24L*	○ ● ⊖	24	0.08	1.92	2500	20.41	1.41	27.2	1
ED08010-24M*	○ ● ⊖	24	0.1	2.40	3000	24.49	2.04	31.4	2
ED08010-24H*	○ ● ⊖	24	0.25	6.00	3500	28.57	2.77	35.1	3

* Bearing Type: ○ Sleeve ● Two Ball ⊖ Hydro-Dynamic